

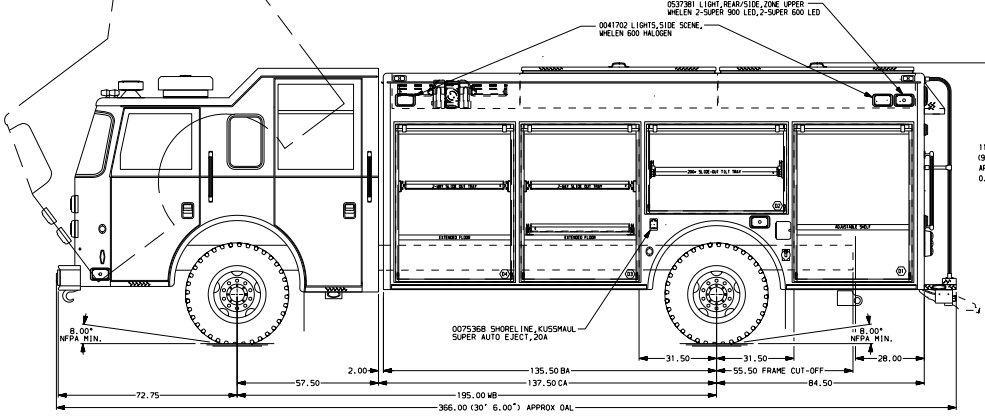
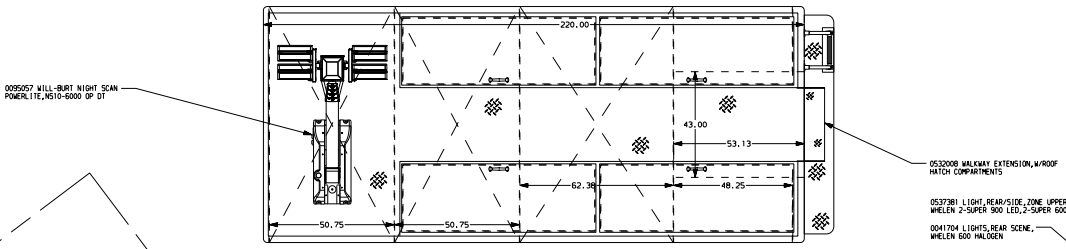
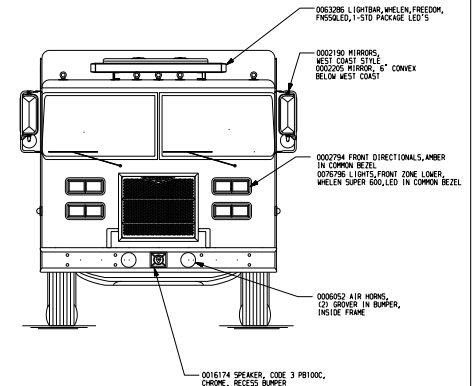
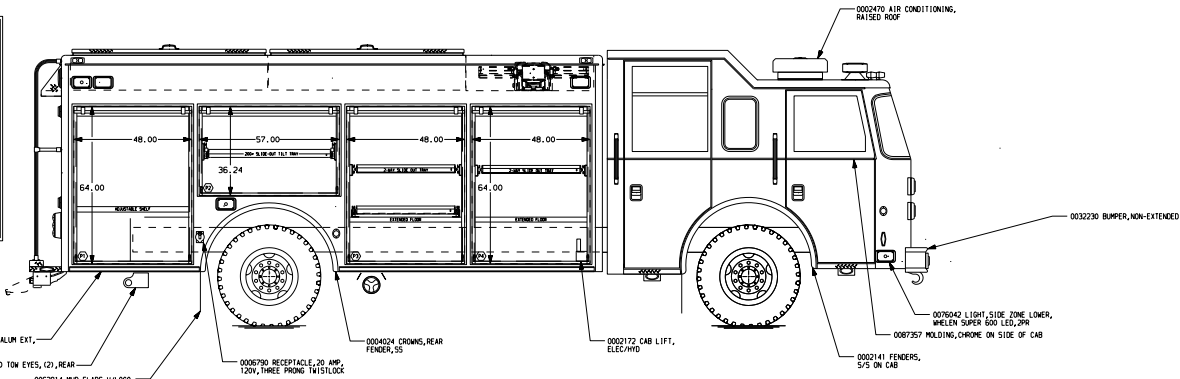
**PASSENGER'S SIDE COMPARTMENTS CONTAIN THE FOLLOWING:**

**COMPARTMENT P1 CONTAINS:**  
 - (1) 004160 SHELF, ADJUSTABLE, STD DEPTH COMPT

**COMPARTMENT P2 CONTAINS:**  
 - (1) 004176 TRAY SLIDE OUT, TILT 30°, 1/2 DEPTH OF TRANSVERSE COMPT, 2000+ CAPACITY

**COMPARTMENT P3 CONTAINS:**  
 - (1) 004184 TRAY SLIDE OUT, TWO WAY, TRANSVERSE COMPT, ADJUSTABLE HEIGHT, 500+ CAPACITY  
 - (1) 004879 EXTENDED COMPARTMENT FLOORS BOLT IN STYLE

**COMPARTMENT P4 CONTAINS:**  
 - (1) 004184 TRAY SLIDE OUT, TWO WAY, TRANSVERSE COMPT, ADJUSTABLE HEIGHT, 500+ CAPACITY  
 - (1) 004879 EXTENDED COMPARTMENT FLOORS BOLT IN STYLE



**DRIVER'S SIDE COMPARTMENTS CONTAIN THE FOLLOWING:**

**COMPARTMENT D1 CONTAINS:**  
 - (1) 004160 SHELF, ADJUSTABLE, STD DEPTH COMPT

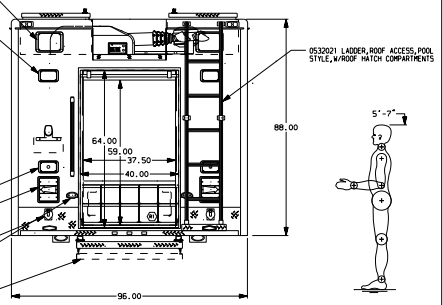
**COMPARTMENT D2 CONTAINS:**  
 - (1) 004176 TRAY SLIDE OUT, TILT 30°, 1/2 DEPTH OF TRANSVERSE COMPT, 2000+ CAPACITY

**COMPARTMENT D3 CONTAINS:**  
 - (1) 004184 TRAY SLIDE OUT, TWO WAY, TRANSVERSE COMPT, ADJUSTABLE HEIGHT, 500+ CAPACITY  
 - (1) 004879 EXTENDED COMPARTMENT FLOORS BOLT IN STYLE  
 - (1) 005254 TRAY SLIDE OUT, TWO WAY, TRANSVERSE COMPT, 500+ CAPACITY

**COMPARTMENT D4 CONTAINS:**  
 - (1) 004184 TRAY SLIDE OUT, TWO WAY, TRANSVERSE COMPT, ADJUSTABLE HEIGHT, 500+ CAPACITY  
 - (1) 004879 EXTENDED COMPARTMENT FLOORS BOLT IN STYLE  
 - (1) CIRCUIT BREAKER PANEL

**REAR COMPARTMENT R1 CONTAINS THE FOLLOWING:**

**COMPARTMENT R1 CONTAINS:**  
 - (1) 004176 RACK, SPARE SCBA BOTTLE, 7.50"



ALUMINUM BODY

**NOTE**  
 DIMENSIONS SHOWN ARE APPROXIMATE AND ARE SUBJECT TO MINOR DEVIATIONS AS MAY OCCUR OR BE NECESSARY IN CONSTRUCTION. MINOR DETAILS NOT SHOWN.

<b>Landstar Pierce</b>				<b>MANUFACTURING INC.</b>		JOB NO.	20811
				BRADENTON, FLORIDA		DATE	SCALE
						4MAR08	1 : 24
						DRAWN BY	AIV
						CHEK'D BY	DCA
						SHEET NO.	SHEET SIZE
						1 of 1	D

CHASSIS DATA  
 TITLE 18 FT HEAVY DUTY RESCUE NON-WALK-IN  
 FOR PIERCE STOCK BRADENTON, FLORIDA  
 DRWG. NO. 20811AD  
 REV. DATE BY CHK'D CONTENDER NO.