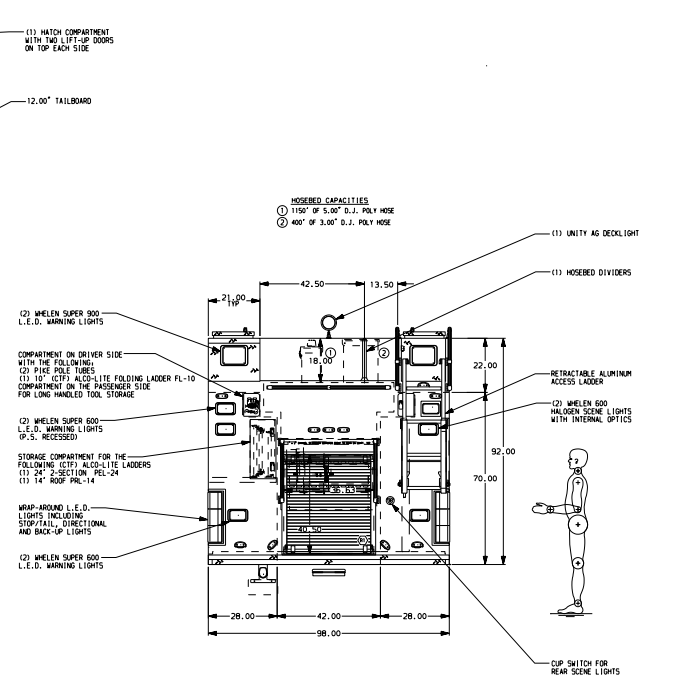
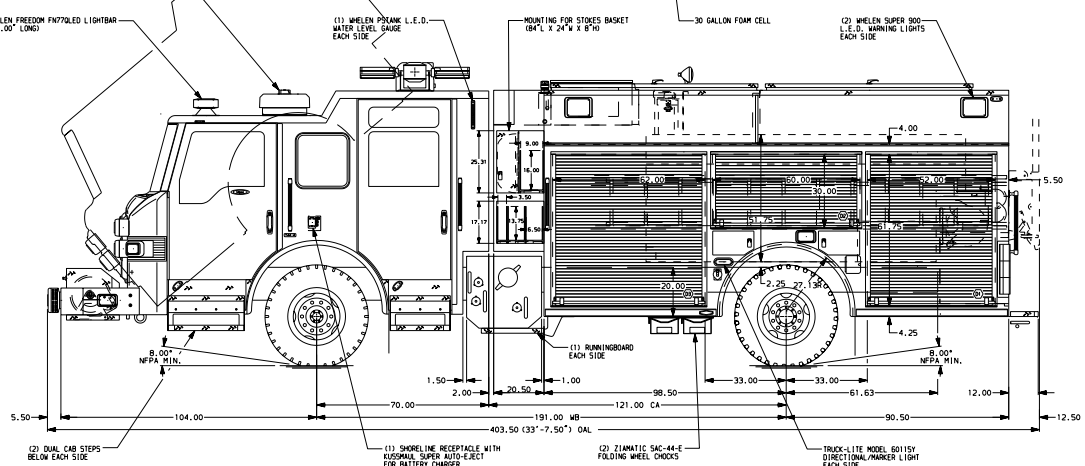


HOSEBOX CAPACITIES
 (1) 1150' OF 5.00" D.I. POLY HOSE
 (2) 400' OF 3.00" D.I. POLY HOSE



ALUMINUM BODY

SIDE ROLL PROTECTION

NOTE
 DIMENSIONS SHOWN ARE APPROXIMATE AND ARE SUBJECT TO MINOR DEVIATIONS AS MAY OCCUR OR BE NECESSARY IN CONSTRUCTION.
 MINOR DETAILS NOT SHOWN.

- PIERCE LOGO MUDFLAPS LOCATED FRONT AND REAR
- S/STL TENDER CHOWLS LOCATED FRONT AND REAR
- S/STL SUPPORT PLATE ON EACH CAB DOOR JAMB
- KISSMATH BATTERY CHARGER LOCATED IN D.I.S. HATCH COMPARTMENT
- MOUNTING BRACES FOR ANTENNAS LOCATED PER SHOP ORDER
- ONE FLOOR MOUNTED SLIDE-OUT TRAY IN COMPARTMENT D1 & R1
- ONE ADJUSTABLE TILTING SLIDE-OUT TRAY IN COMPARTMENT P2
- TWO SLIDE-OUT TOOLBOARDS LOCATED IN COMPARTMENT D2
- ONE SWING-OUT TOOLBOARD LOCATED IN COMPARTMENT D2
- FOUR POLY TOOL BUSES LOCATED IN COMPARTMENT P1 (24" L x 14" W x 12" D)
- DISPLAY BAR GRAPH FOR BATTERY CHARGER LOCATED ON DRIVERS SEAT BRACKET
- MOTOR RETENTION NETTING LOCATED IN COMPARTMENT LOWER P3
- FRONTAL IMPACT PROTECTION IN CAB
- ONE ADJUSTABLE SHEET LOCATED IN COMPARTMENT D1, D2, THREE IN P1 & FIVE IN P3
- THREE MANWAY ELECTRIC REWINDING HYDRAULIC REELS MODEL 2016-17-18 WITH CAPACITY FOR 100' OF 0.25" DUAL HOSE LOCATED IN FRONT BUMPER ONE EACH SIDE & ONE IN RH
- MONEY 12" SINGLE AGENT FOAM SYSTEM RESERVOIR LOCATED IN PUMP PLUMBING AREA
- REINFORCED SCENE LIGHTS LOCATED PER SHOP ORDER
- CIRCUIT BREAKER PANEL IN DRIVER SIDE FRONT BRASS COMPARTMENT

CUSTOMER APPROVAL

APPROVED BY: _____
 DATE: _____

REV	DATE	BY	CHK	IMP7010
1				
2				
3				
4				
5				
6				
7				
8				
9				
10				

Platco MANUFACTURING INC.

JOB NO. 22517
 SCALE 1:24
 DATE 29JUN09
 DRAWN BY MDO
 CHECKED BY MCL
 03JUL09
 SHEET SIZE D
 SHEET NO. 1 of 1

CHASSIS DATA
 TITLE 1500-D-970P, 30 GALLON FOAM CELL, 189" PUC BODY
 (3) X-LAYS, DEADLAYS, LADDERS IN BODY, (3) HYD REELS
 FOR BOILING SPRINGS FIRE DEPARTMENT
 BOILING SPRINGS, SC

DWG NO. 22517AD