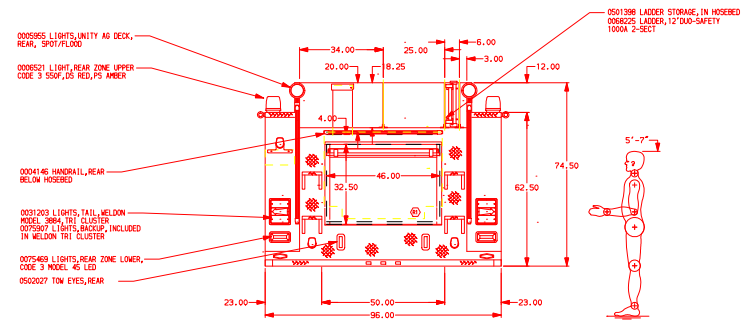


HOSEBED CAPACITIES  
 500' OF 3.00" O.J. HOSE



ALUMINUM BODY

NOTE  
 DIMENSIONS SHOWN ARE APPROXIMATE AND ARE SUBJECT TO MINOR DEVIATIONS AS MAY OCCUR OR BE NECESSARY IN CONSTRUCTION. MINOR DETAILS NOT SHOWN.

		<b>Pierce</b> MANUFACTURING INC. BRADENTON, FLORIDA		JOB NO.	18304	
				DATE	SCALE 1:2=1	
<input checked="" type="checkbox"/> 22AUG06 <input checked="" type="checkbox"/> 17AUG06 <input checked="" type="checkbox"/> 1AUG06 <input checked="" type="checkbox"/> 23MAY06 <input checked="" type="checkbox"/> 6APR06	AIV AIV AIV AIV AIV	VKO VKO VKO CFA CFA	OMS515 OMS515 OMS515 OMC MODEL 5500 4 X 4	TITLE FOR MINI PUMPER, 153"WB, 85"CA, 2-DOOR 4 X 4 350 GALLON POLY TANK, WATEROUS CLVK 500 GPM PUMP PIERCE STOCK/DEMO UNITS BRADENTON, FLORIDA	23MAR06 23MAR06 23MAR06	DRAWN BY CHK'D BY DCA
REV.	DATE	BY	CHK'D	DRWG. NO.	18304AD	
				SHEET NO.	1 of 1	
				SHEET SIZE	D	