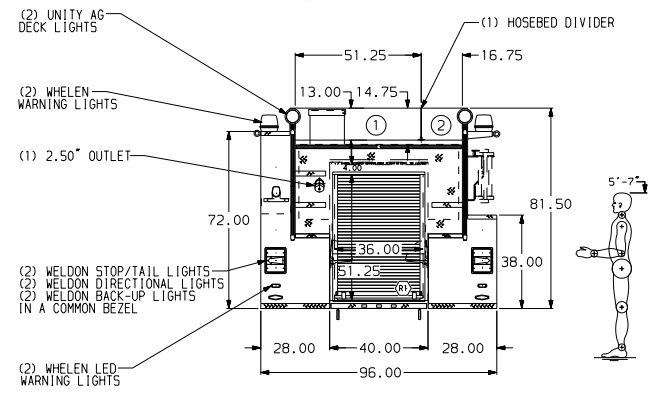
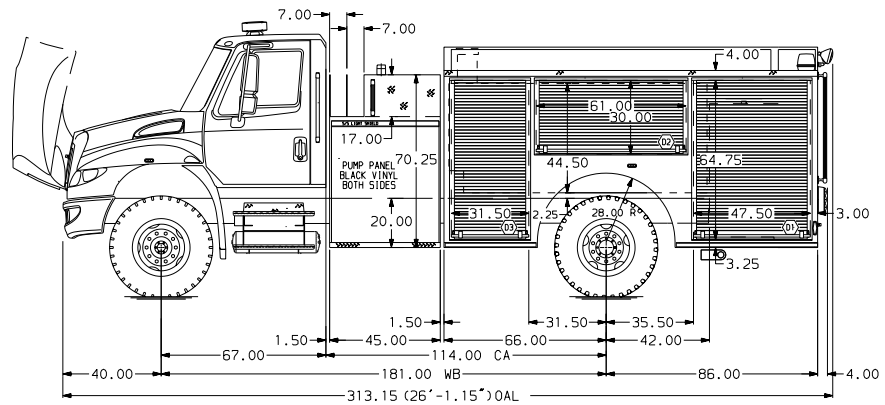


HOSEBED CAPACITIES
 (1) 1500' OF 2.50" HOSE
 (2) 400' OF 1.50" HOSE



ALUMINUM BODY

NOTE
 DIMENSIONS SHOWN ARE APPROXIMATE AND ARE SUBJECT TO MINOR DEVIATIONS AS MAY OCCUR OR BE NECESSARY IN CONSTRUCTION.
 MINOR DETAILS NOT SHOWN.

CONTENDER BASE MODEL-ALL REVISIONS MUST GO THRU FLORIDA ENGINEERING

Amstar		Pierce		MANUFACTURING INC.		JOB NO.	7077
				BRADENTON, FLORIDA		SCALE	1:24
3FE809	DLA	RLU	CHASSIS DATA	TITLE	1250-D-1000 POLY, 152 BODY, 45 SIDE CONTROL REAR OUTLET, (2) CROSSLAYS, DELUGE	DATE	25MAY06
S06C07	DCA	KTH	CHASSIS DATA	FOR	PIERCE MANUFACTURING INC. BRADENTON, FLORIDA	DATE	25MAY06
7FE807	DCA	PKU	CHASSIS DATA	MODEL		DATE	25MAY06
21JUL06	AIV	PKZ	1HC	DRWG. NO.		SHEET NO.	1 of 1
22JAN06	AIV	PK1	4400	NO.		SHEET SIZE	D
7077AD							