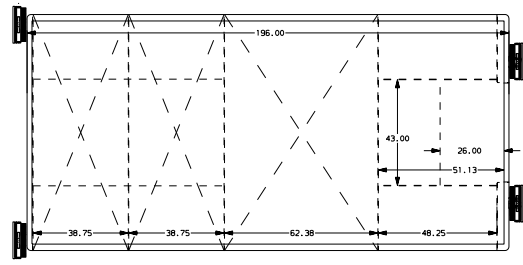
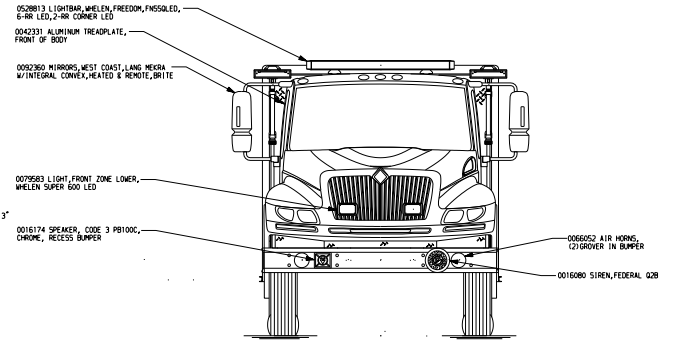
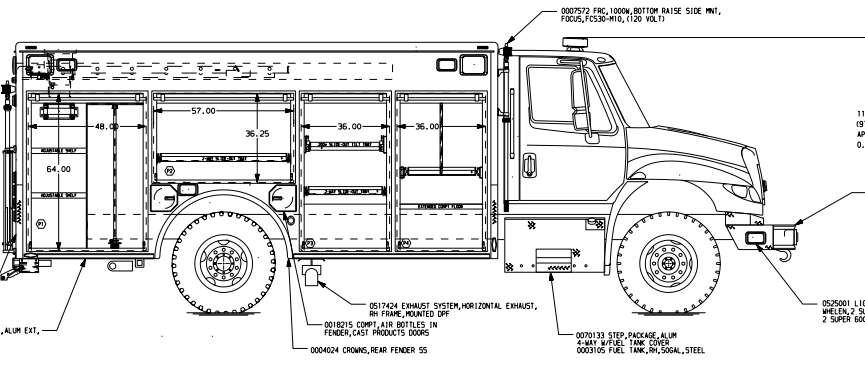


PASSENGER'S SIDE COMPARTMENTS CONTAIN THE FOLLOWING:

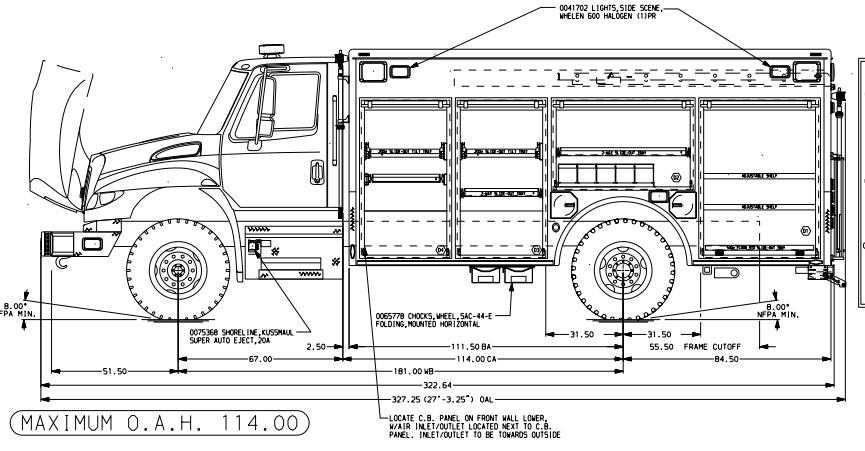
- COMPARTMENT P1 CONTAINS:**
- (1) 0041000 SHELF, ADJUSTABLE, STD DEPTH COMP
 - (1) 0041763 COMPARTMENT DIVIDER, VERTICAL
 - (1) 0025746 TOOL BOARD, SLIDE OUT, 30" STD DEPTH W/SHEN DEVICE TRACK
 - (1) 0005005 REEL, ELECTRIC CABLE, MINIMUM MODEL 153B-17-15
 - (1) 0025001 COLLECTOR, 1/3 BLACK, 200FT
- COMPARTMENT P2 CONTAINS:**
- (1) 0041504 TRAY, SLIDE OUT, TWO WAY, TRANSVERSE COMP, ADJUSTABLE HEIGHT, 500# CAPACITY
- COMPARTMENT P3 CONTAINS:**
- (1) 0041504 TRAY, SLIDE OUT, TWO WAY, TRANSVERSE COMP, ADJUSTABLE HEIGHT, 500# CAPACITY
 - (1) 0041756 TRAY, SLIDE OUT, 1 1/2" 30" 1/2 DEPTH OF TRANSVERSE COMP, 200# CAPACITY
- COMPARTMENT P4 CONTAINS:**
- (1) 0040875 EXTENDED COMPARTMENT FLOORS BOL. IN STYLE
 - (1) 0042447 TRAY, SLIDE OUT, 1/2 TRANSVERSE, ADJUSTABLE HEIGHT, 500# CAPACITY
 - (1) 0025746 TOOL BOARD, ADDED TO SLIDE TRAY, 1/2 DEPTH TRANSVERSE & STD, TRAY NOT INCLUDED



REAR COMPARTMENT R1 CONTAINS THE FOLLOWING:

COMPARTMENT R1 CONTAINS:

- (1) 0021033 EXTENDED COMPARTMENT FLOOR
- R1 COMP ONLY, BOL. IN STYLE
- (1) 0025746 TRAY, SLIDE OUT, FULL DEPTH, R1 COMP, FLOOR MID, 2" SIDES, 500LB CAPACITY
- (1) 0025746 SHELF, ADJUSTABLE, FULL DEPTH, COMPARTMENT R1



DRIVER'S SIDE COMPARTMENTS CONTAIN THE FOLLOWING:

COMPARTMENT D1 CONTAINS:

- (2) 0041690 SHELF, ADJUSTABLE, STD DEPTH COMP
- (1) 0041504 TRAY, SLIDE OUT, 3/4 DEPTH, FLOOR MOUNTED, 2" SIDES, 500LB CAPACITY

COMPARTMENT D2 CONTAINS:

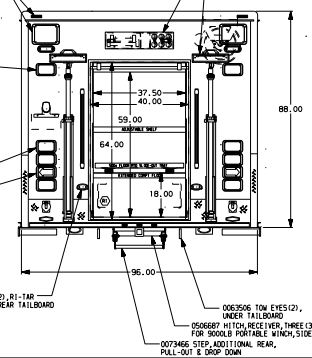
- (1) 0021033 STORAGE BIN, AIR BOTTLE
- (1) 0041504 TRAY, SLIDE OUT, TWO WAY, TRANSVERSE COMP, ADJUSTABLE HEIGHT, 500# CAPACITY
- (1) 0041756 TRAY, SLIDE OUT, 1 1/2" 30" 1/2 DEPTH OF TRANSVERSE COMP, 200# CAPACITY

COMPARTMENT D3 CONTAINS:

- (1) 0041504 TRAY, SLIDE OUT, TWO WAY, TRANSVERSE COMP, ADJUSTABLE HEIGHT, 500# CAPACITY
- (1) 0041756 TRAY, SLIDE OUT, 1 1/2" 30" 1/2 DEPTH OF TRANSVERSE COMP, 200# CAPACITY

COMPARTMENT D4 CONTAINS:

- (1) 0042447 TRAY, SLIDE OUT, 1/2 TRANSVERSE, ADJUSTABLE HEIGHT, 500# CAPACITY
- (1) 0041756 TRAY, SLIDE OUT, 1 1/2" 30" 1/2 DEPTH OF TRANSVERSE COMP, 200# CAPACITY
- (1) 0026788 CIRCUIT BREAKER PANEL



ALUMINUM BODY MAXIMUM O.A.H. 114.00

NOTE
DIMENSIONS SHOWN ARE APPROXIMATE AND ARE SUBJECT TO MINOR DEVIATIONS AS MAY OCCUR OR BE NECESSARY IN CONSTRUCTION. MINOR DETAILS NOT SHOWN.

		MANUFACTURING INC. BRADENTON, FLORIDA		JOB NO.	20430
				DATE	1-8
CHASSIS DATA 27MAR08 A1Y PK2 CH5515 27MAR08 A1Y LMK 1 LHC 23JAN08 A1Y PK1 NREL DRNG. NO.		TITLE 16 FT CONTENDER RESCUE NON-WALK-IN FOR LANCASTER COUNTY LANCASTER, SOUTH CAROLINA		SCALE	1:24
				DRAWN BY	A1V
REV. DATE BY CHK'D 4400 NO.		20430AD		CMT'D BY	DCA
				SHEET NO.	1 of 1
				SHEET SIZE	D