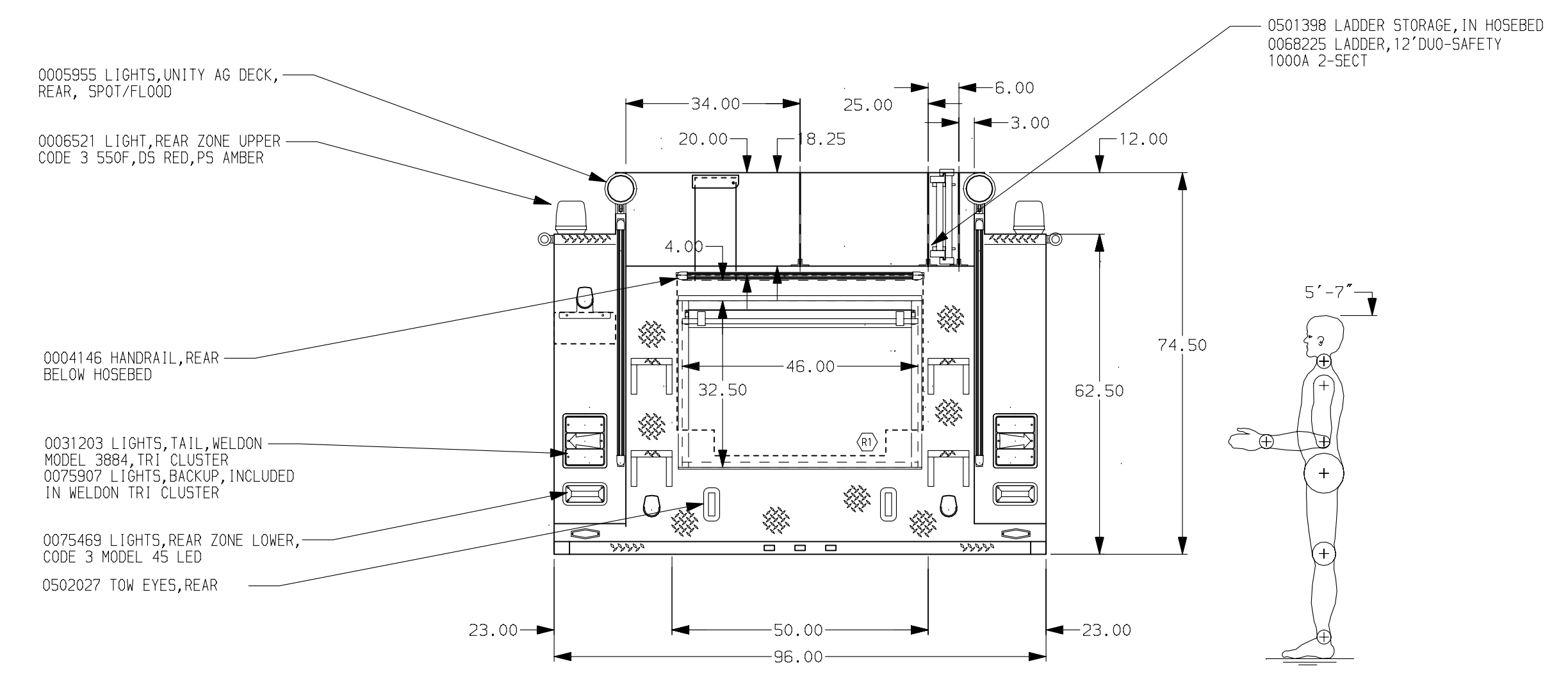
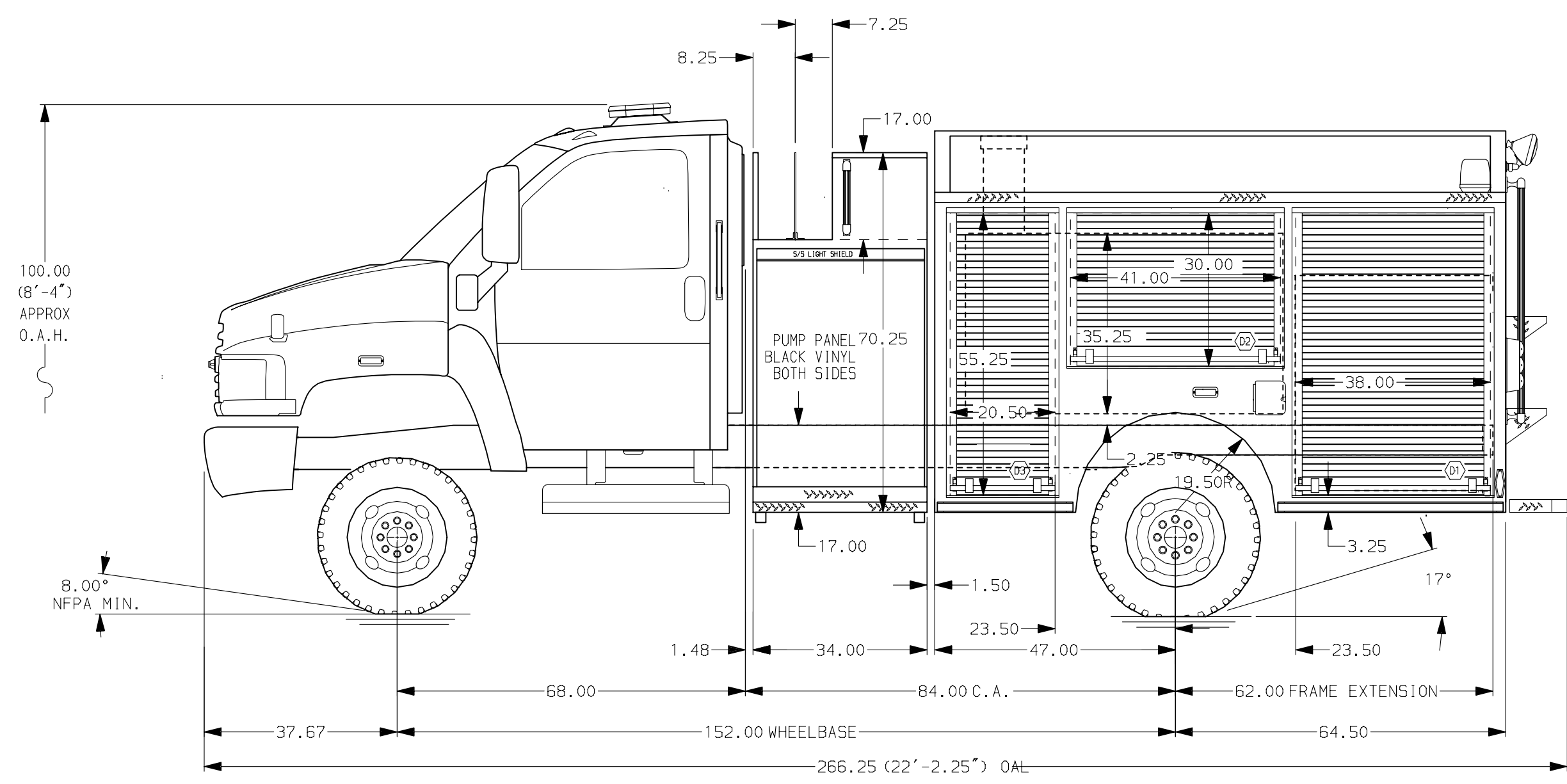


HOSEBED CAPACITIES
 500' OF 3.00" D.J. HOSE



ALUMINUM BODY

Contender				Pierce		MANUFACTURING INC.		JOB NO.	18301
BRADENTON, FLORIDA								DATE	23MAR06
TITLE								SCALE	1:24
FOR								DRAWN BY	AIV
REV.								DATE	23MAR06
BY								CHK'D BY	DCA
NO.								SHEET NO.	1 OF 1
NO.								SHEET SIZE	D

NOTE
 DIMENSIONS SHOWN ARE APPROXIMATE AND ARE SUBJECT TO MINOR DEVIATIONS AS MAY OCCUR OR BE NECESSARY IN CONSTRUCTION.
 MINOR DETAILS NOT SHOWN.

22AUG06	AIV	VKO	CHASSIS DATA	TITLE	MINI PUMPER, 153"WB, 85"CA, 2-DOOR 4 X 4
17AUG06	AIV	VKO	CHASSIS DATA	TITLE	350 GALLON POLY TANK, WATEROUS CLVK 500 GPM PUMP
1AUG06	AIV	VKO	CHASSIS DATA	TITLE	PIERCE STOCK/DEMO UNITS
23MAY06	AIV	CFA	GMC	FOR	BRADENTON, FLORIDA
6APR06	AIV	CFA	MODEL 5500 4 X 4	DRWG. NO.	18301AD