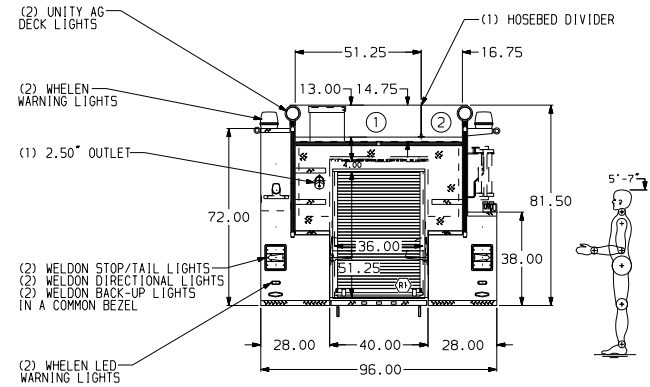
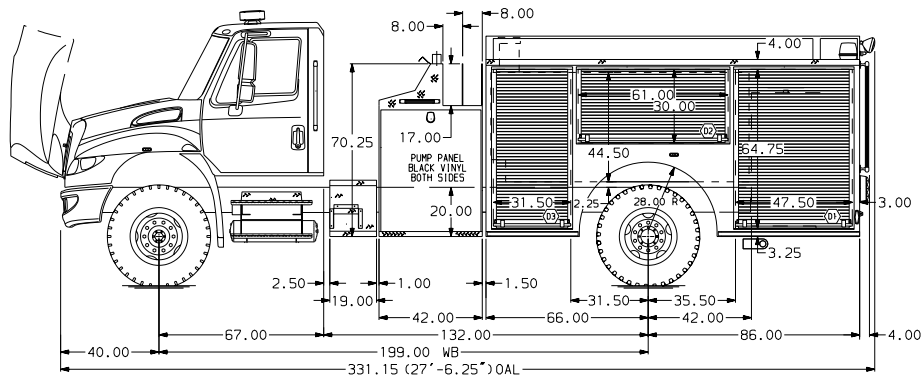


HOSEBED CAPACITIES
 ① 1500' OF 2.50\"/>



ALUMINUM BODY

CONTENDER BASE MODEL-ALL REVISIONS MUST GO THRU FLORIDA ENGINEERING

NOTE
 DIMENSIONS SHOWN ARE APPROXIMATE AND ARE SUBJECT TO MINOR DEVIATIONS AS MAY OCCUR OR BE NECESSARY IN CONSTRUCTION.
 MINOR DETAILS NOT SHOWN.

		MANUFACTURING INC.		JOB NO.	7078
		BRADENTON, FLORIDA		SCALE	1:24
3FE809	DLA	RLU	CHASSIS DATA	DATE	25MAY06
110C107	DCA	DMC	TITLE	DRWN BY	AIV
17AUG07	DCA	AIV	FOR	CHK'D BY	DCA
3FE807	AIV	PKZ	MODEL	SHEET NO.	1 of 1
10AUG06	AIV	PKZ	DRWG. NO.	SHEET SIZE	D
REV.	DATE	BY	CHK'D	4400	

7078AD