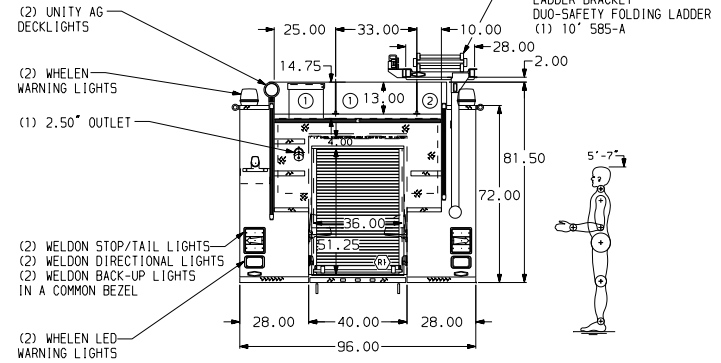


HOSEBED CAPACITIES
 ① 1500' OF 2.50" HOSE
 ② 400' OF 1.50" HOSE



ALUMINUM BODY

CONTENDER BASE MODEL-ALL REVISIONS MUST GO THRU FLORIDA ENGINEERING

NOTE
 DIMENSIONS SHOWN ARE APPROXIMATE AND ARE SUBJECT TO MINOR DEVIATIONS AS MAY OCCUR OR BE NECESSARY IN CONSTRUCTION. MINOR DETAILS NOT SHOWN.

Brantley		Pierce		MANUFACTURING INC.		JOB NO.	7092
				BRADENTON, FLORIDA		SCALE	1:24
REV.	DATE	BY	CHK'D	CHASSIS DATA	TITLE	DATE	DRAWN BY
07FEB09	DTA	RLV		1250-D-1000 GAL 152" BODY DS & PS FULL HIGHT 42" TOP MOUNT, (2) CROSSSLAYS, 3" DELUGE (RISER)	FOR PIERCE STOCK/DEMO BRADENTON FLORIDA	12APR07	DCA
1DEC07	DCA	KTH				12APR07	CHK'D BY
30MAR07	DCA	PKT					AIV
22MAY07	DCA	HTN		DRWG. NO.	7092AD	SHEET NO.	SHEET SIZE
				NO.		1 of 1	D