

(1) WHELEN PIONEER PMH2 L.E.D. SCENE LIGHT EACH SIDE MOUNTED ON ALUMINUM PAINTED BRACKETS

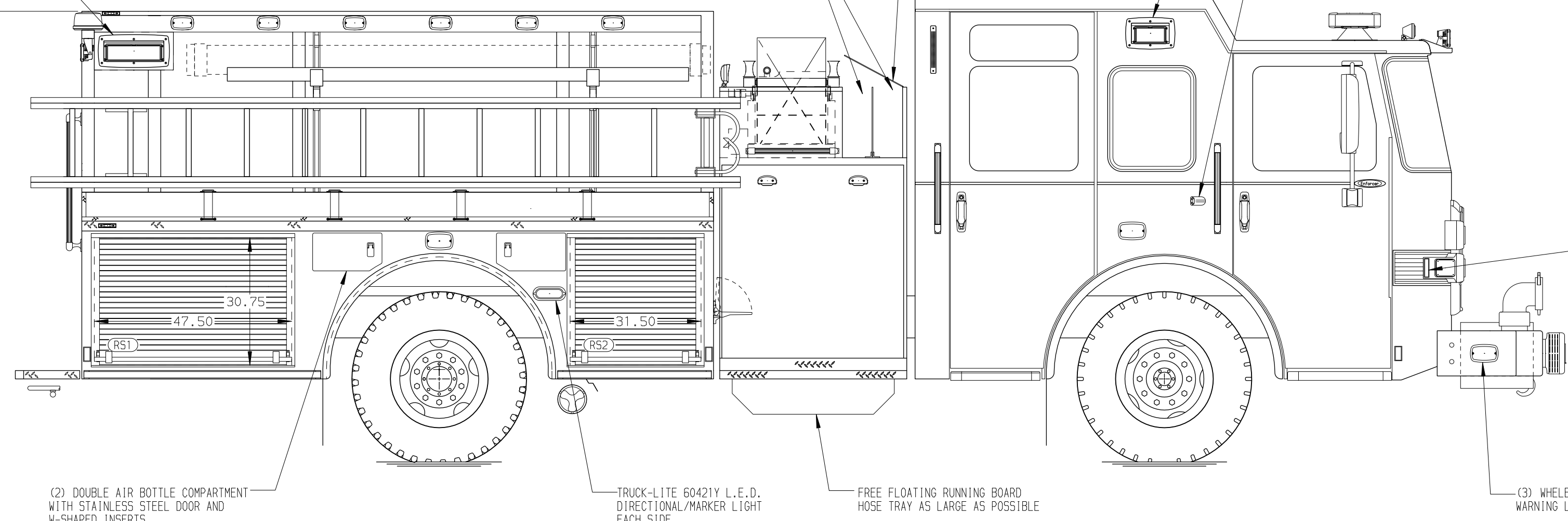
(2) CROSSLAY HOSEBEDS FOR 200' OF 1.75" D.J. HOSE WITH 2.00" PIPING

ALUMINUM TREADPLATE CROSSLAY COVER

(1) WHELEN PIONEER PMH1 L.E.D. SCENE LIGHT EACH SIDE

ZONE DEFENSE CAMERA EACH SIDE

112.00 (9'-4") APPROX O.A.H.



(2) DOUBLE AIR BOTTLE COMPARTMENT WITH STAINLESS STEEL DOOR AND W-SHAPED INSERTS

TRUCK-LITE 69421Y L.E.D. DIRECTIONAL/MARKER LIGHT EACH SIDE

FREE FLOATING RUNNING BOARD HOSE TRAY AS LARGE AS POSSIBLE

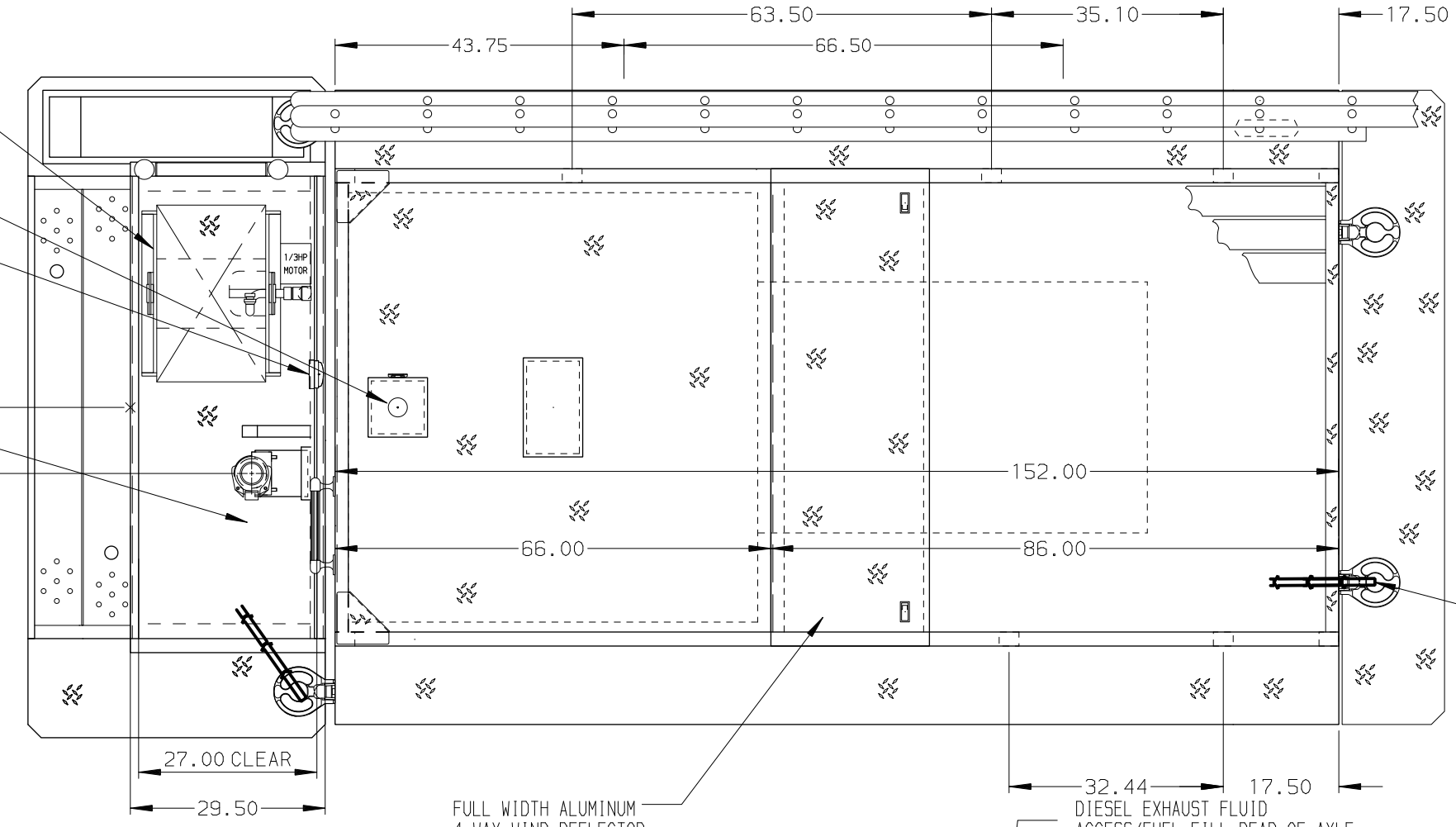
(3) WHELEN M6 L.E.D. WARNING LIGHTS EACH SIDE

HANNAY EF24-28-29 ELECTRIC REWIND BOOSTER REEL WITH A CAPACITY FOR 200' OF 1.00" HOSE

30 GALLON FOAM CELL

(1) FRP L.E.D. FLOODLIGHT FOR DESIGNATED WALKWAY

3.00" DELUGE OUTLET AND TASK FORCE TIPS EXTEND-A-GUN

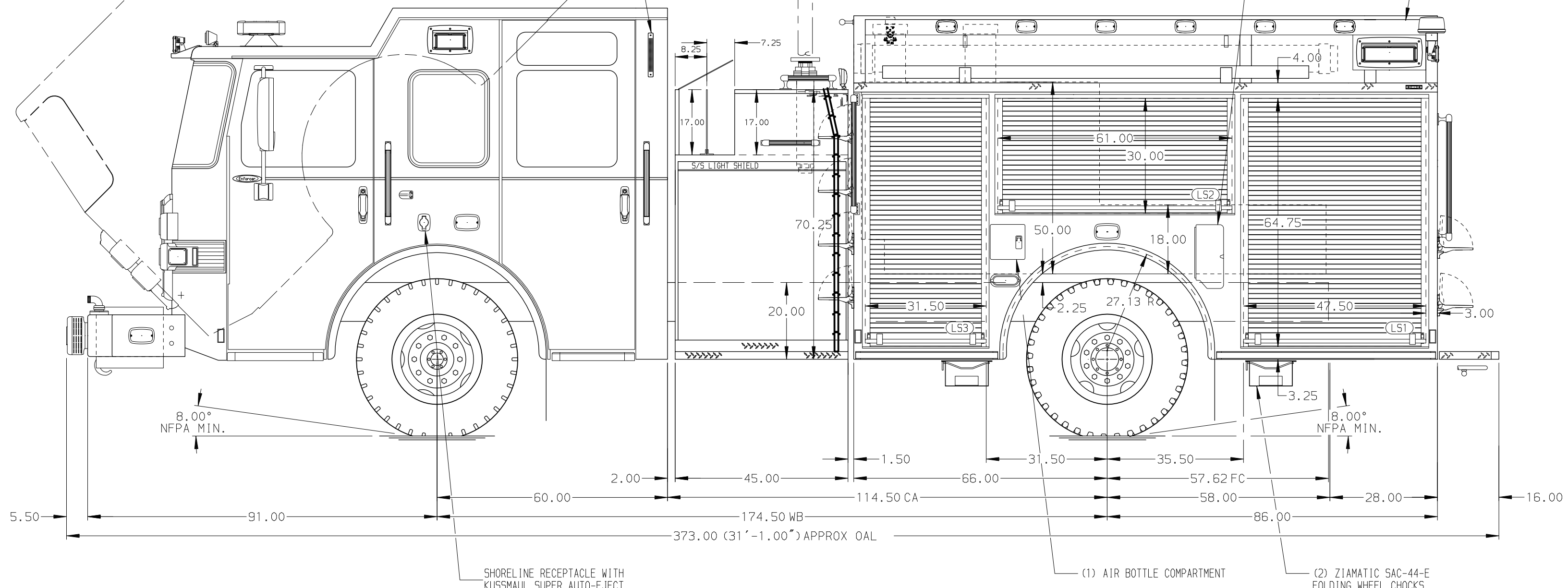


SURFACE DESIGNATION AND PATHWAY MARKINGS

(1) WHELEN PSTANK L.E.D. WATER LEVEL GAUGE EACH SIDE

FULL WIDTH ALUMINUM 4-WAY WIND DEFLECTOR

(6) WHELEN M4A L.E.D. LIGHTS EACH SIDE



8.00" NFPA MIN.

8.00" NFPA MIN.

ALUMINUM BODY

SIDE ROLL AND FRONTAL IMPACT PROTECTION

WHELEN FREEDOM 1V 72" L.E.D. LIGHTBAR

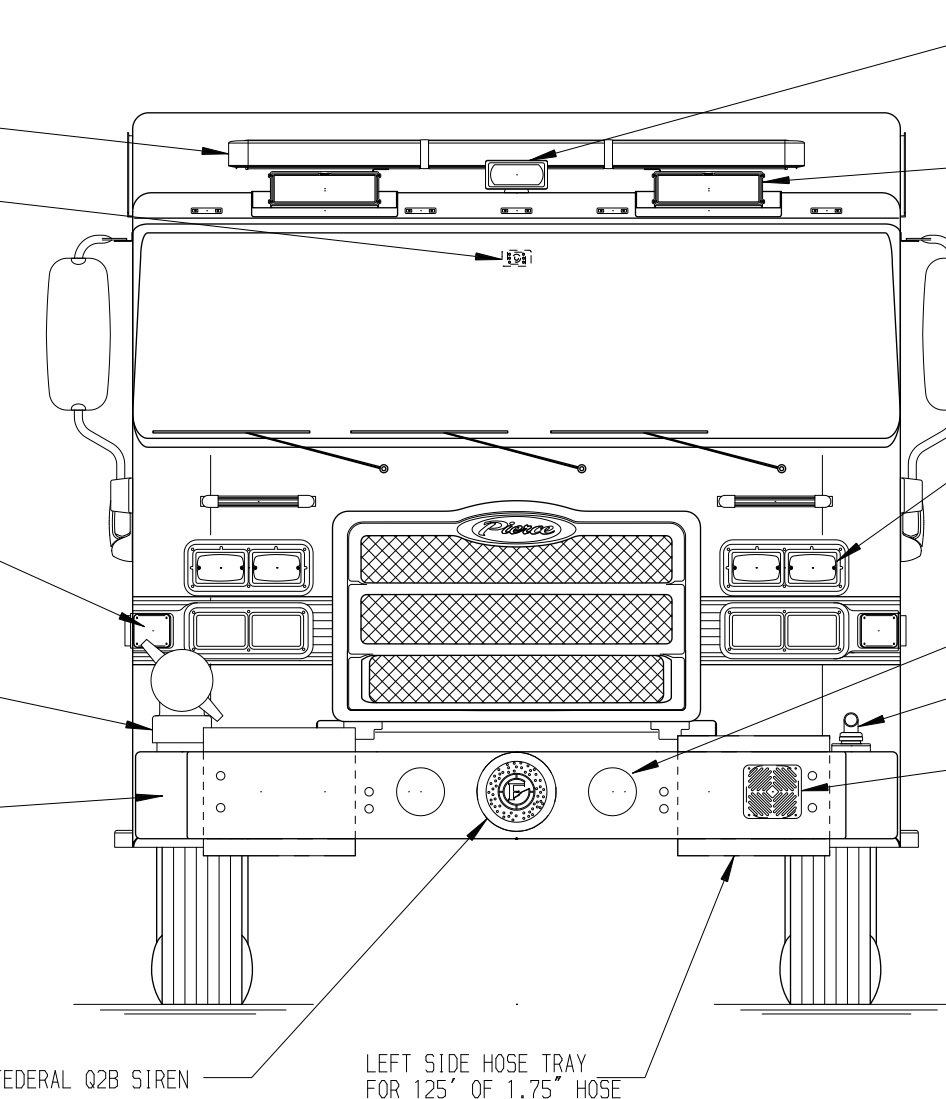
ZONE DEFENSE CAMERA BEHIND WINDSHIELD

(2) WHELEN 600 SERIES L.E.D. DIRECTIONAL/MARKER LIGHTS

TRUCK-LITE 19036 L.E.D. DIRECTIONAL CAB LIGHT

6.00" FRONT INLET WITH 5.00" PIPING AND CHROME SWIVEL

22.00" STEEL PAINTED BUMPER WITH RIGHT SIDE HOSE TRAY FOR 20' OF 6.00" HOSE



TOMAR MODEL 3065-CHROME TRAFFIC LIGHT CONTROLLER

(2) WHELEN PIONEER PMH2 L.E.D. VISOR LIGHTS

RETRAC HEATED/REMOTE CONTROL MIRRORS WITH CONVEX SECTION

(2) WHELEN M6 L.E.D. WARNING LIGHTS IN A COMMON BEZEL EACH SIDE

(2) GROVER AIR HORNS

(1) 1.50" OUTLET WITH 2.00" PIPING AND SWIVEL

(1) WHELEN SA315P SPEAKER WITH STAINLESS STEEL GRILLE

(1) FEDERAL Q2B SIREN

LEFT SIDE HOSE TRAY FOR 125' OF 1.75" HOSE

HOSEBED CAPACITIES

- ① 300' OF 1.75" DJP HOSE
- ② 200' OF 1.75" DJP HOSE
- ③ 1000' OF 5.00" DJP HOSE
- ④ 300' OF 3.00" DJP HOSE
- ⑤ 400' OF 2.50" DJP HOSE
- ⑥ 300' OF 1.75" DJP HOSE

(2) WHELEN L31HRFN L.E.D. WARNING LIGHTS

WHELEN TANF6 L.E.D. TRAFFIC DIRECTING LIGHT MOUNTED ON ALUMINUM TREADPLATE ENCLOSURE

(2) WHELEN PIONEER PMH1 L.E.D. SCENE LIGHTS

ZONE DEFENSE CAMERA SYSTEM WITH ALUMINUM TREADPLATE GUARD

CUP SWITCH FOR SIDE WARNING LIGHTS

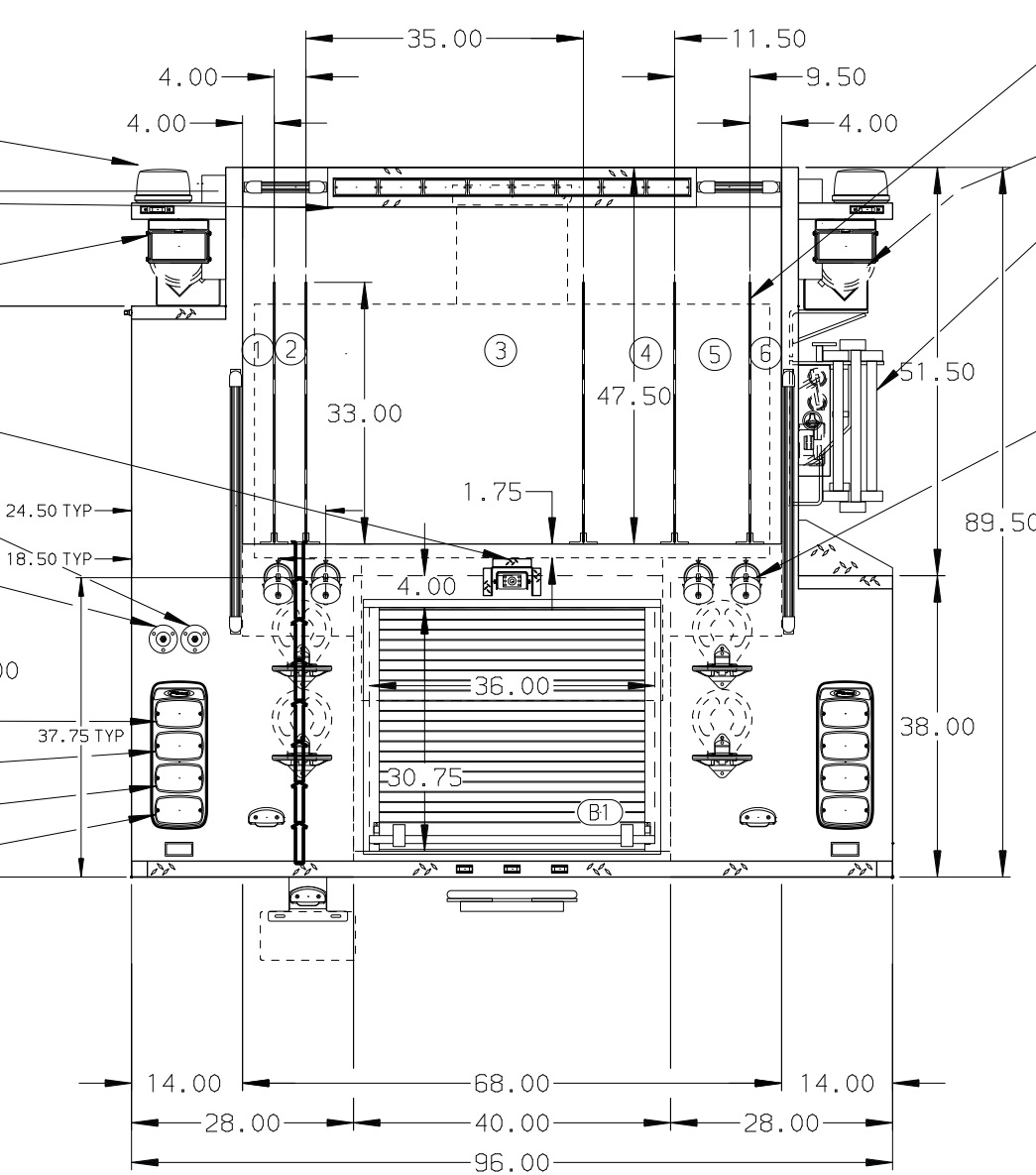
CUP SWITCH FOR HOSE BED LIGHTS

(2) WHELEN M6 L.E.D. WARNING LIGHTS

(2) WHELEN M6 L.E.D. STOP/TAIL LIGHTS

(2) WHELEN M6 L.E.D. DIRECTIONAL LIGHTS

(2) WHELEN M6 L.E.D. BACK-UP LIGHTS MOUNTED IN WHELEN M6 "PIERCE" BEZELS

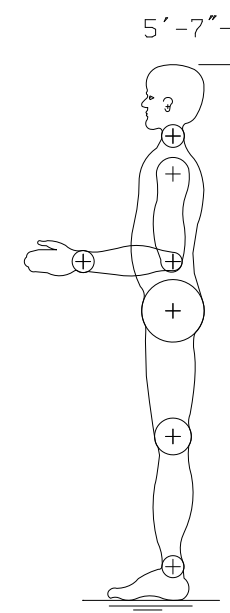


(5) HOSEBED DIVIDERS 0.25" SINGLE SHEET WITH HAND HOLD CUTOUT

(1) TROUGH FOR HARD SUCTION HOSE (6" X 10") EACH SIDE

DUO-SAFETY LADDERS (1) 24" 2 SECTION 900A (1) 14" ROOF 775-DR (1) 10" FOLDING 585A (1) 10" AKRON PIKE POLE (CTF) (1) 6" AKRON PIKE POLE (CTF)

(4) 2.50" OUTLETS



NOTE
DIMENSIONS SHOWN ARE APPROXIMATE AND ARE SUBJECT TO MINOR DEVIATIONS AS MAY OCCUR OR BE NECESSARY IN CONSTRUCTION. MINOR DETAILS NOT SHOWN.

- 1. AIR INLET WITH DISCONNECT COUPLING IN THE DS PUMP PANEL
- 2. BATTERY CHARGER LOCATED IN COMPARTMENT LS3
- 3. BATTERY CHARGE INDICATOR LOCATED ON DRIVER'S SEAT RISER
- 4. ONE FULL WIDTH/DEPTH ADJUSTABLE SHELF IN COMPARTMENTS LS2 AND RS2; TWO IN LS1 AND LS3
- 5. ALUMINUM PEGBOARD WITH TRACKS ON THE BACK WALL OF COMPARTMENTS LS1, LS2, AND LS3
- 6. AKRON EDUCATOR 3096-95 FOM SYSTEM

REV	DATE	BY	CH	ENOFRCR
17SEP19	KLE	JGO		CHASSIS DATA
03SEP19	KLE	JGO		MAKE
14AUG19	KLE	JGO		PIERCE
17JUN19	KLE	RW1		MODEL
22MAY19	KLE	KOU		

		JOB NO.	33872
		SCALE	1:24
TITLE 1500-D-780P, 750G WATER W/30G FOAM, 152" BODY (2) CROSSLAYS, LADDER BRACKET ON RS	FOR COLUMBIA FIRE DEPARTMENT COLUMBIA, SOUTH CAROLINA	DATE	14MAY19
		DRAWN BY	KLE
DWG NO. 33872AD		CHECKED BY	KOU
		SHEET SIZE	D
		SHEET NO.	1 OF 1