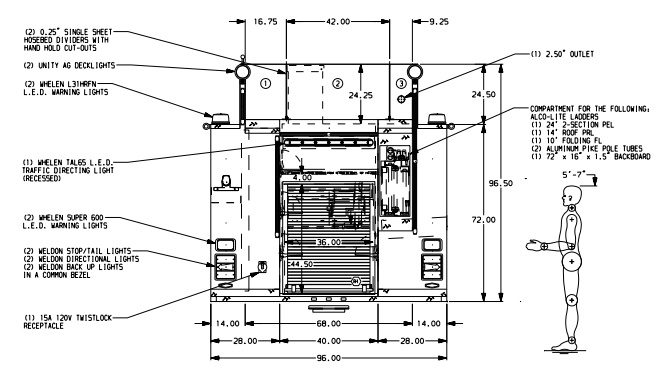
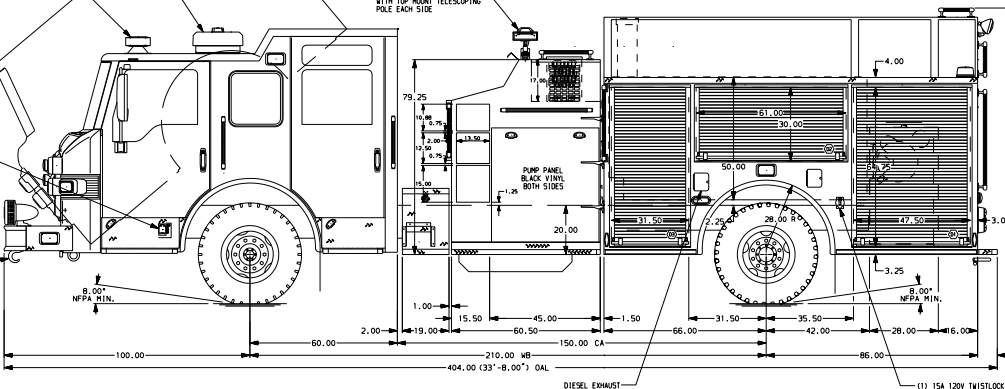


HOUSED CAPACITIES

① 400' OF 3.00" O.D. POLY HOSE

② 1200' OF 5.00" O.D. POLY HOSE

③ 400' OF 2.50" O.D. POLY HOSE



ALUMINUM BODY

NOTE
DIMENSIONS SHOWN ARE APPROXIMATE AND ARE SUBJECT TO MINOR DEVIATIONS AS MAY OCCUR OR BE NECESSARY IN CONSTRUCTION.
MINOR DETAILS NOT SHOWN.

- PIERCE LOGO MUDFLAPS LOCATED FRONT AND REAR
- 5/8" TENDER CHAINS LOCATED FRONT AND REAR
- CUSTOMER TO FURNISH WHEEL CHOCKS AND MOUNTING BRACKETS
- MOUNTING BASE FOR ANTENNA LOCATED ON PERI SHOP GRIDS
- CUSTOMER BATTERY CHARGER/ AIR COMPRESSOR LOCATED IN COMPARTMENT 03
- BATTERY CHARGE INDICATOR LOCATED ON D.S. SEAT WITH BRACKET
- ONE FLOOR MOUNTED SLIDE-OUT TRAY IN COMPARTMENTS D1 & R1
- ONE ADJUSTABLE 1 1/2" SLIDE-OUT TRAY IN COMPARTMENTS D2 & D3
- ONE SLIDE-OUT TOOL BOARD WITH PEGBOARD PATTERN IN COMPARTMENT P2
- ONE FULL WIDTH/DEPTH ADJUSTABLE SHELF IN COMPARTMENTS D1, D3, P1, P3 & R1
- SHELF TRACKS LOCATED IN COMPARTMENTS D1, D2, D3, P1, P3 & R1
- PERIMETER SCENE LIGHTS LOCATED PER SHOP ORDER
- CIRCUIT BREAKER PANEL IN COMPARTMENT 03
- MOUNTING PROVISIONS FOR CUSTOMER INSTALLED COILO REEL IN COMPARTMENT R1
- 5/8" STL PROTECTIVE GUARD FOR EACH ROLL-UP COMPARTMENT

CUSTOMER APPROVAL				JOB NO.	24727
APPROVED BY:				SCALE	1:24
DATE:				DATE	
		CHASSIS DATA	TITLE	1500-D-750P, 152" MEDIUM BODY, LADDERS BESIDE TANK (3) SPEEDLAYS, TOP MOUNT, BOOSTER REEL, HYD GEN	DRAWN BY: MNO 04MAY11
			FOR	PARKER FIRE DEPARTMENT GREENVILLE, SC	CHECKED BY: MNE 04MAY11
		DWG NO.	24727AD	SHEET SIZE	D 1 of 1
REV	DATE	BY	CH	CONTENDER NO.	