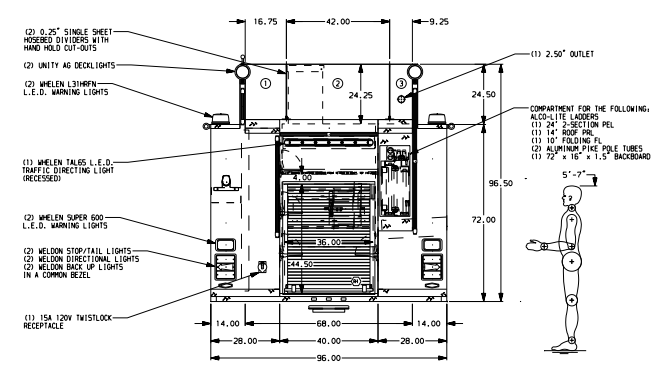
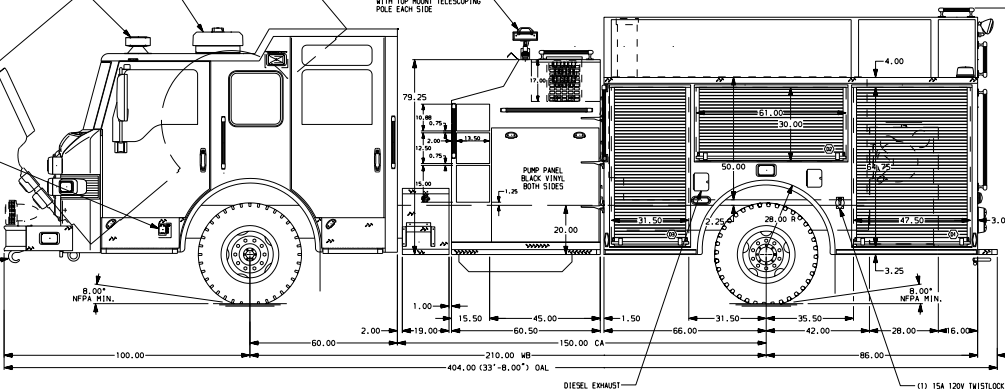


- HOSEBED CAPACITIES**
- ① 400' OF 3.00" O.D. POLY HOSE
  - ② 1200' OF 5.00" O.D. POLY HOSE
  - ③ 400' OF 2.50" O.D. POLY HOSE



**ALUMINUM BODY**

**NOTE**  
 DIMENSIONS SHOWN ARE APPROXIMATE AND ARE SUBJECT TO MINOR DEVIATIONS AS MAY OCCUR OR BE NECESSARY IN CONSTRUCTION.  
 MINOR DETAILS NOT SHOWN.

1. PIERCE LOGO MUDFLAPS LOCATED FRONT AND REAR
2. 5/8" TENDER CHAINS LOCATED FRONT AND REAR
3. CUSTOMER TO FURNISH WHEEL CHOCKS AND MOUNTING BRACKETS
4. MOUNTING BARS FOR ANTENNAS LOCATED PER SHOP ORDER
5. CUSTOMER BATTERY CHARGER/ AIR COMPRESSOR LOCATED IN COMPARTMENT D3
6. BATTERY CHARGE INDICATOR LOCATED ON D.S. SEAT WITH BRACKET
7. ONE FLOOR MOUNTED SLIDE-OUT TRAY IN COMPARTMENTS D1 & D2
8. ONE ADJUSTABLE 1 1/2" SLIDE-OUT TRAY IN COMPARTMENTS D3 & D3
9. ONE SLIDE-OUT TOOL BOARD WITH PEGBOARD PATTERN IN COMPARTMENT P2
10. ONE FULL WIDTH/DEPTH ADJUSTABLE SHELF IN COMPARTMENTS D1, D3, P1, P3 & R1

11. SHELF TRACKS LOCATED IN COMPARTMENTS D1, D2, D3, P1, P3 & R1
12. PERIMETER SCENE LIGHTS LOCATED PER SHOP ORDER
13. CIRCUIT BREAKER PANEL IN COMPARTMENT D3
14. MOUNTING PROVISIONS FOR CUSTOMER INSTALLED HYDRAULIC REEL IN COMPARTMENT R1
15. 5/8" STYL PROTECTIVE GUARD FOR EACH ROLL-UP COMPARTMENT

**CUSTOMER APPROVAL**

APPROVED BY:	
DATE:	
CHASSIS DATA	
TITLE	1500-D-750P, 152" MEDIUM BODY, LADDERS BESIDE TANK (3) SPEEDLAYS, TOP MOUNT, BOOSTER REEL, HYD GEN
FOR	GANTT FIRE DEPARTMENT GANTT, SC
DWG NO.	24553AD
REV DATE BY CH CONTENDER NO.	

**Pierce MANUFACTURING INC.**

JOB NO.	24553
SCALE	1:24
DATE	
DRAWN BY	MED
CHECKED BY	MNE
SHEET SIZE	D
SHEET NO.	1 of 1